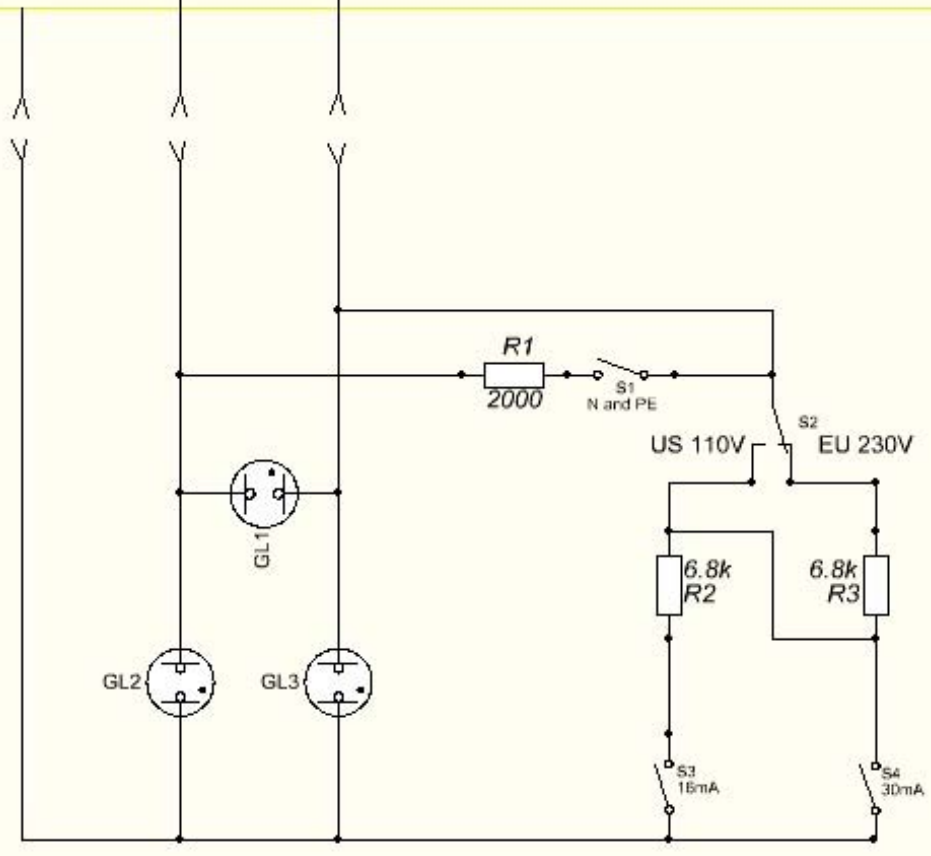


L
N
GND



R1 = 25W
R2, R3 = 5W