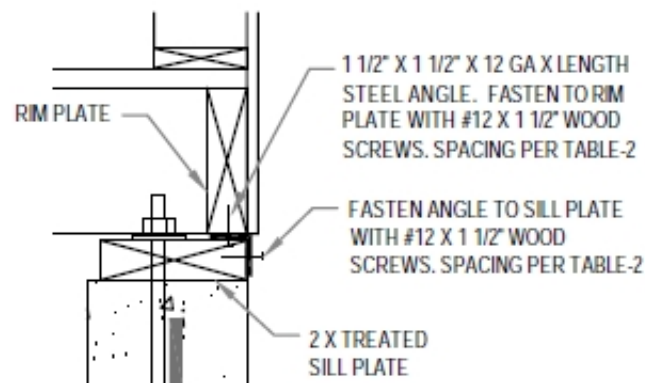
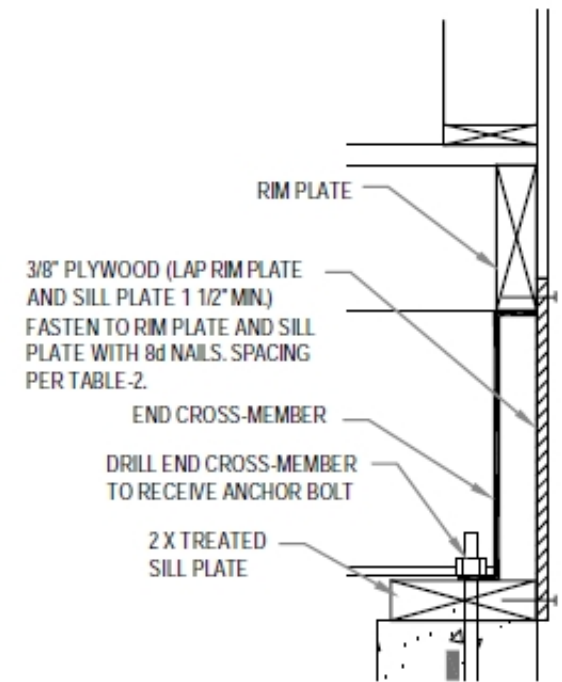


METHOD - 1
(Sidewall or Endwall)



METHOD - 2
(Sidewall or Endwall)



METHOD - 3
(Endwall Without Recessed Crossmember)

Floor to Stem Wall Connection Methods