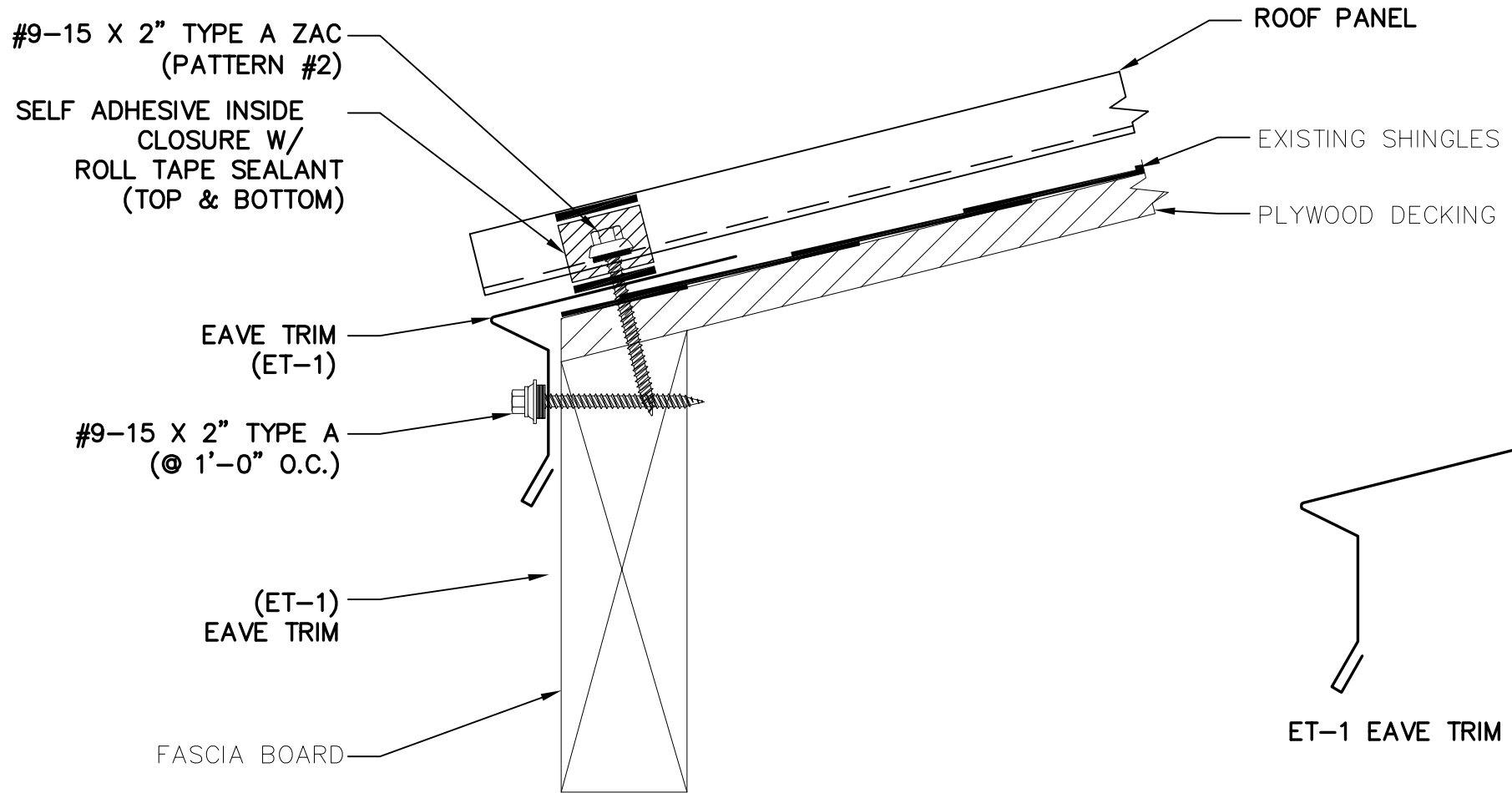


METALMAN ROOFING SYSTEM
INSTALLATION GUIDE
STANDARD DETAILS & TRIMS

TABLE OF CONTENTS

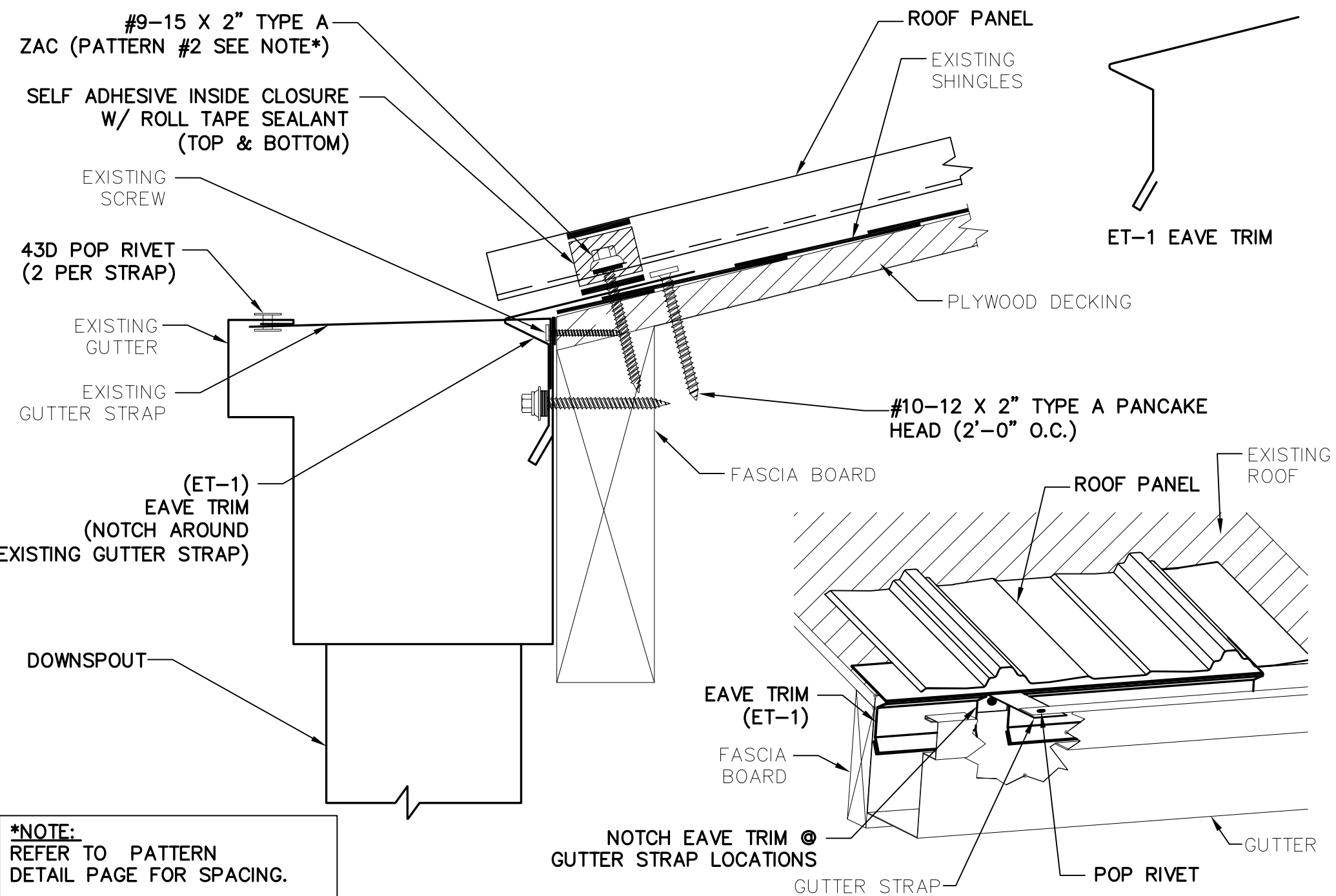
1. EAVE WITHOUT GUTTER
2. EAVE WITH GUTTER
3. HIGH EAVE
4. HIGH SIDE TIE-IN
5. STANDARD RAKE
6. RAKE OFF MODULE
7. RAKE W / DRIP TRIM
8. SIDEWALL DETAIL
9. STANDARD HIP
10. VENTED HIP
11. STANDARD RIDGE
12. VENTED RIDGE
13. VALLEY
14. PITCH TRANSITION (VALLEY)
15. PITCH TRANSITION (GAMBREL)
16. PANEL FASTENER PATTERN

EAVE DETAIL (NO GUTTER)



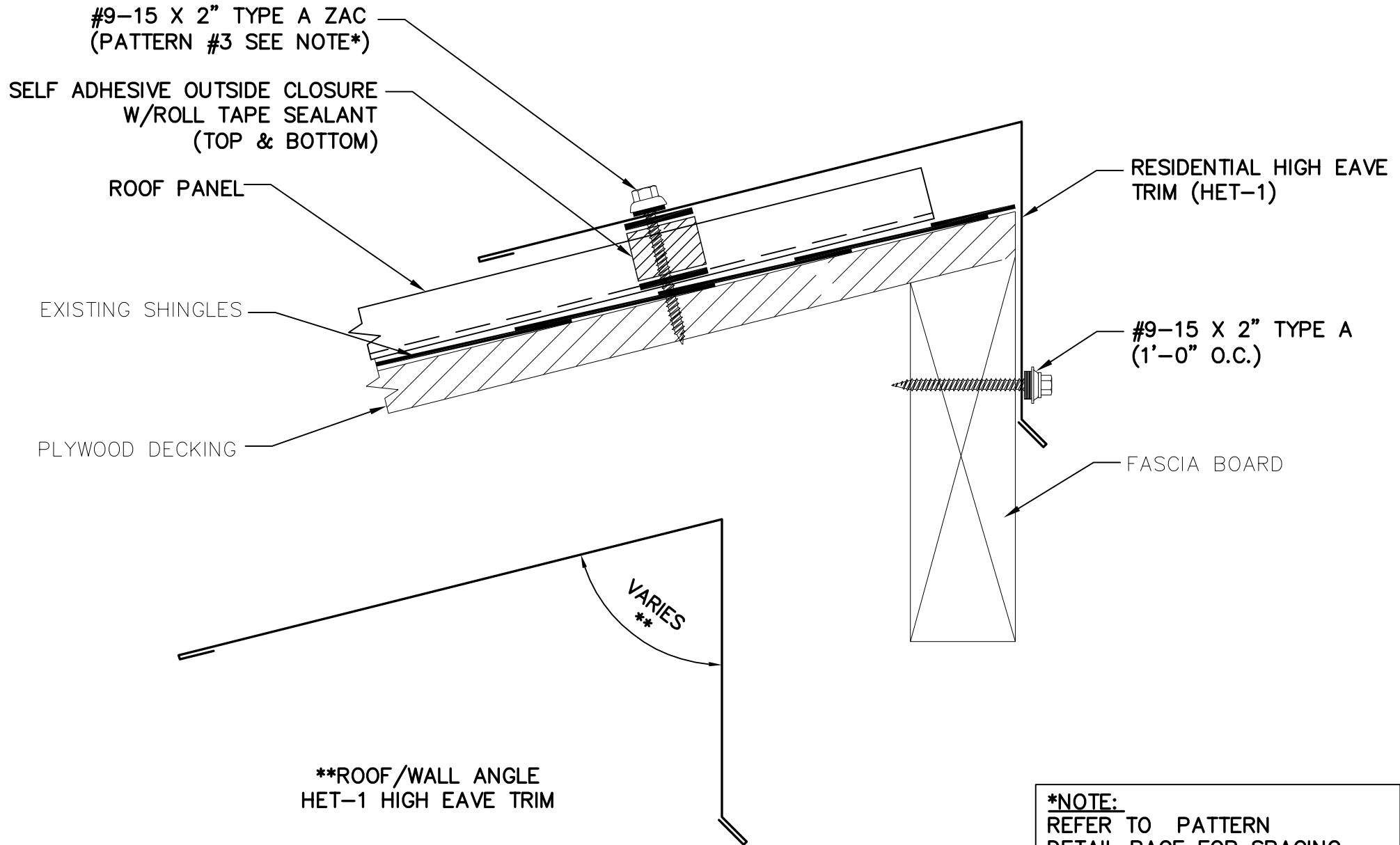
***NOTE:**
REFER TO PATTERN
DETAIL PAGE FOR SPACING.

EAVE w/ GUTTER DETAIL



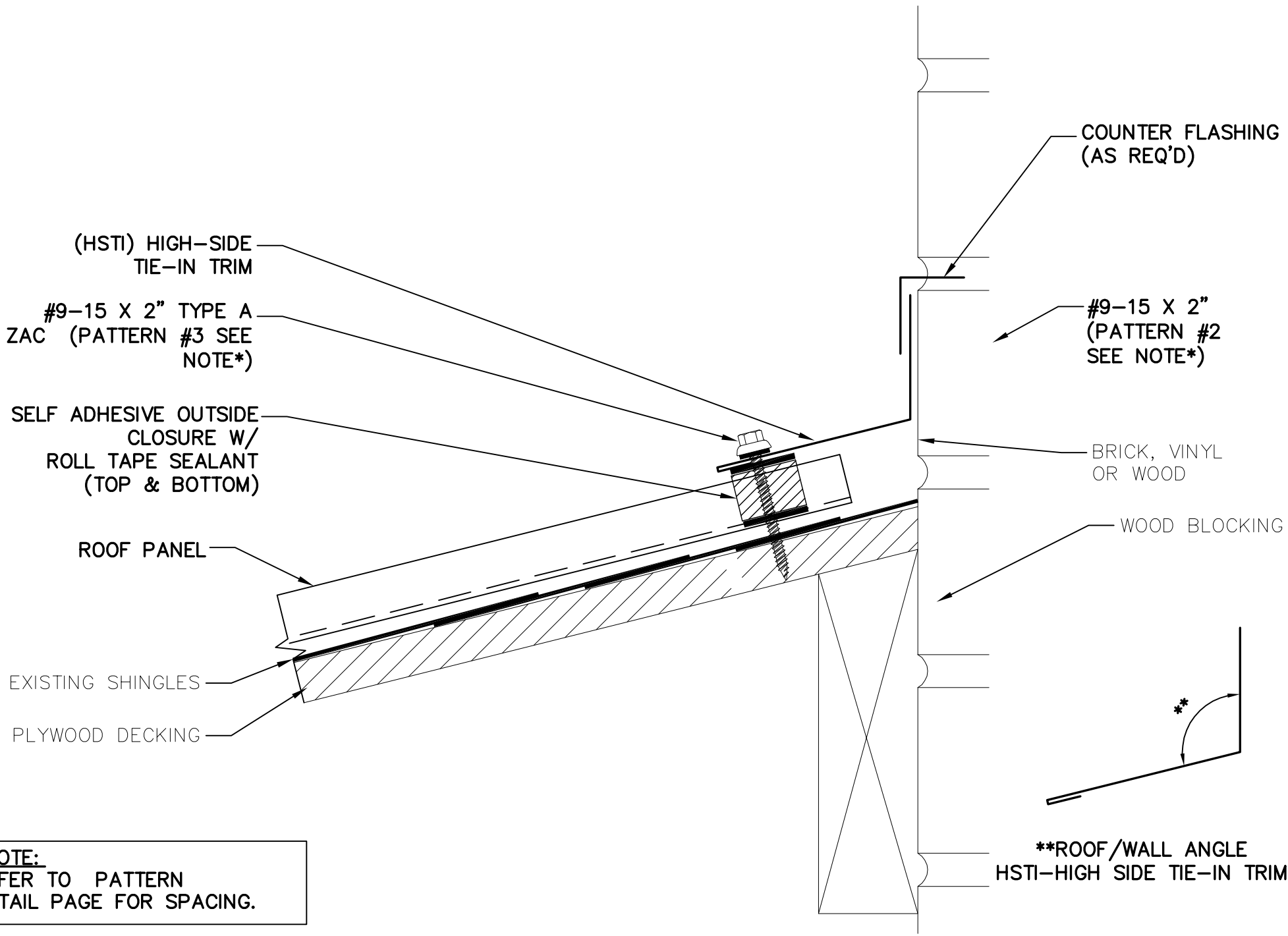
***NOTE:**
REFER TO PATTERN
DETAIL PAGE FOR SPACING.

HIGH EAVE DETAIL



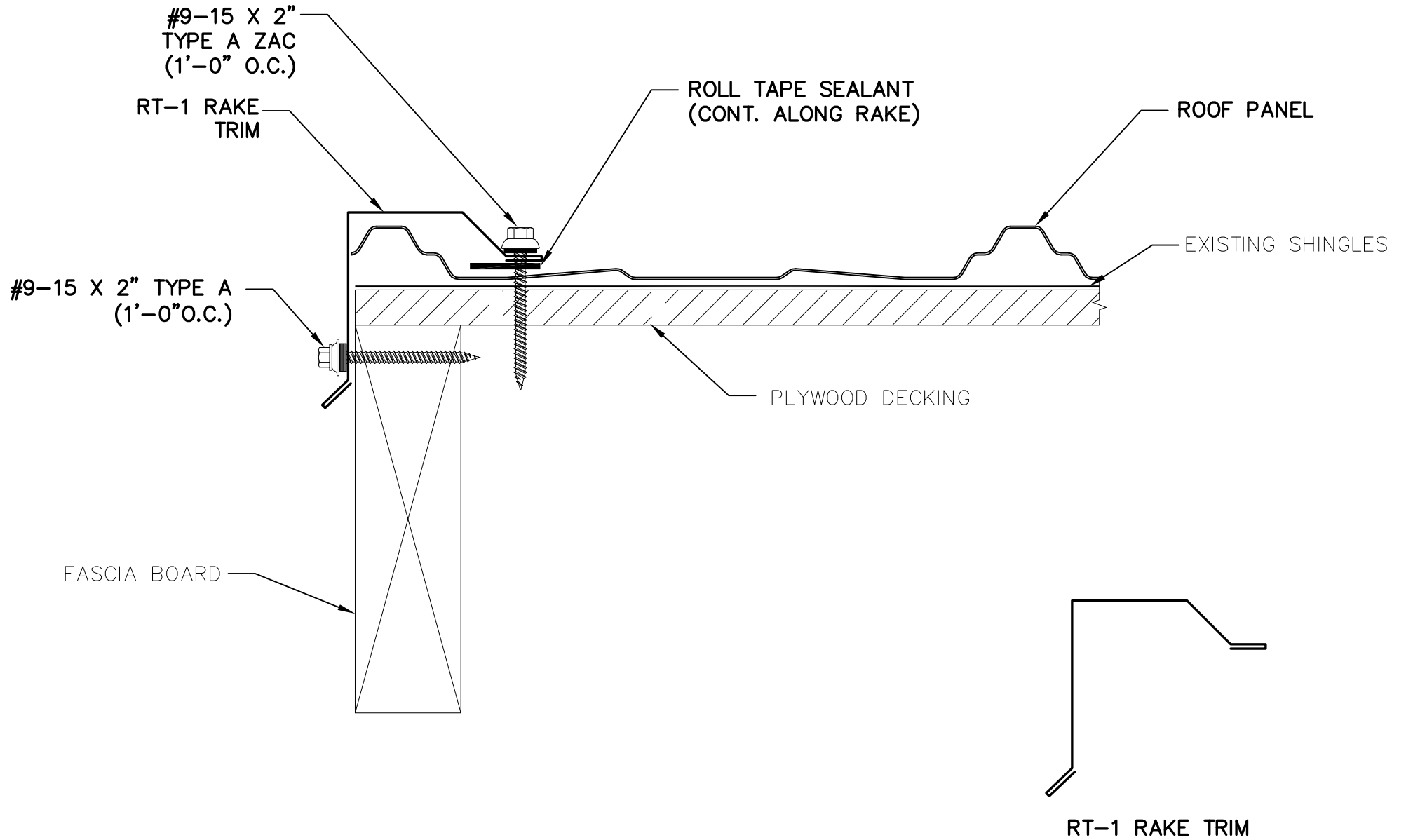
***NOTE:**
REFER TO PATTERN
DETAIL PAGE FOR SPACING.

HIGH-SIDE TIE-IN DETAIL

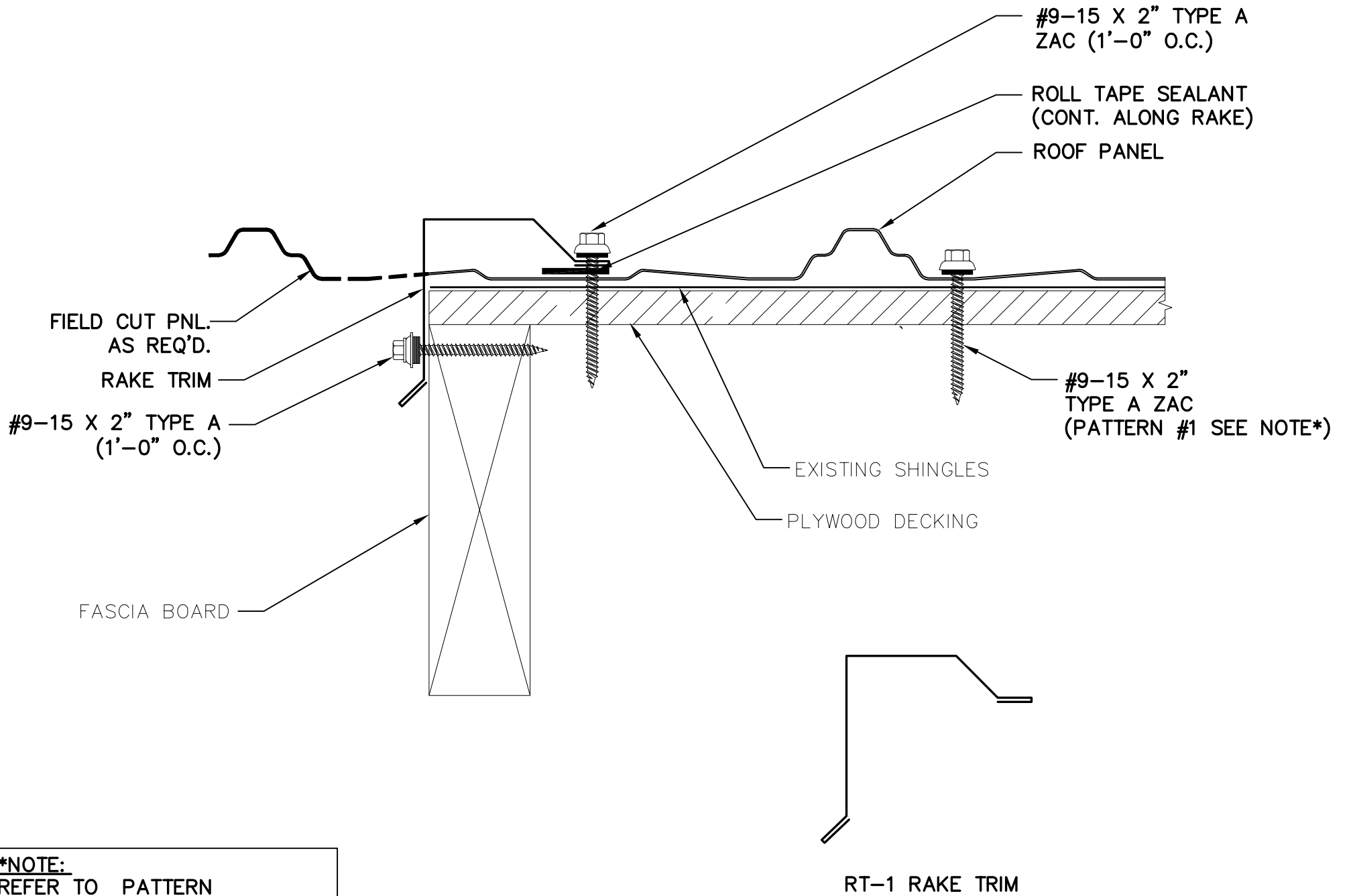


***NOTE:**
REFER TO PATTERN
DETAIL PAGE FOR SPACING.

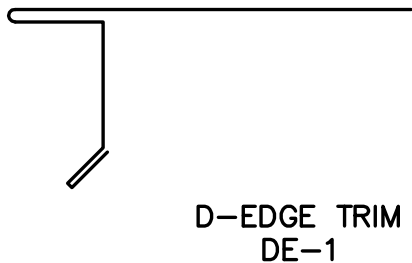
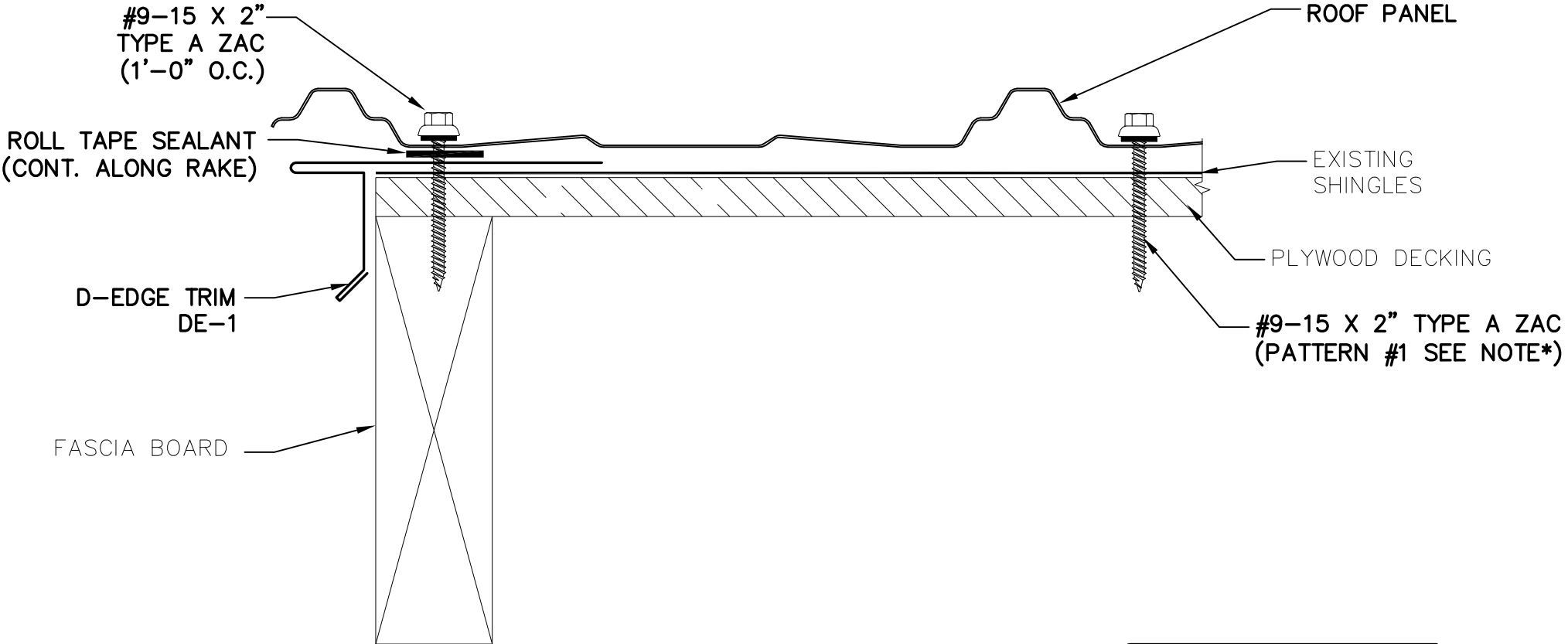
STANDARD RAKE DETAIL



RAKE DETAIL (OFF MODULE)

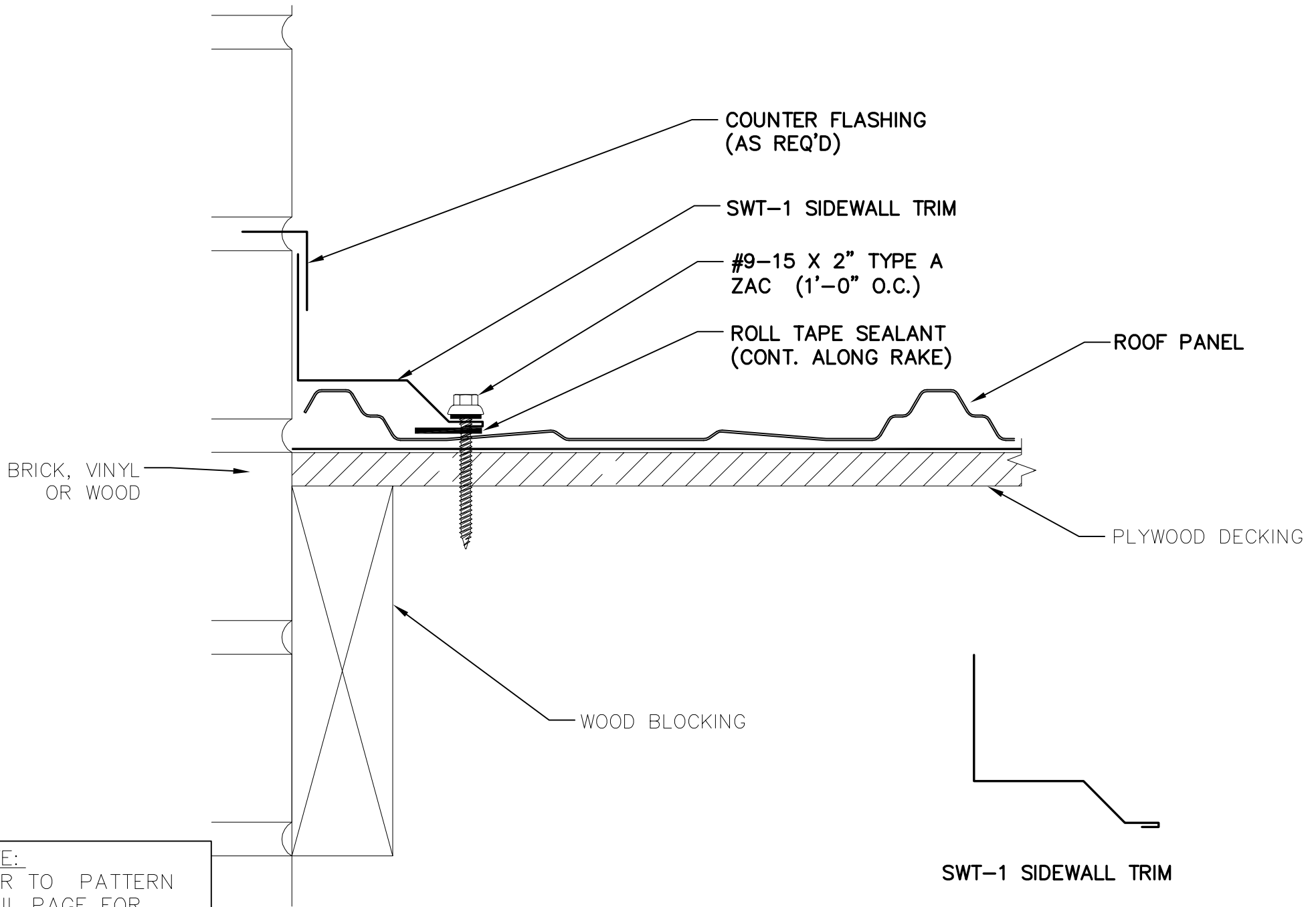


RAKE DETAIL W / (DRIP-EDGE)

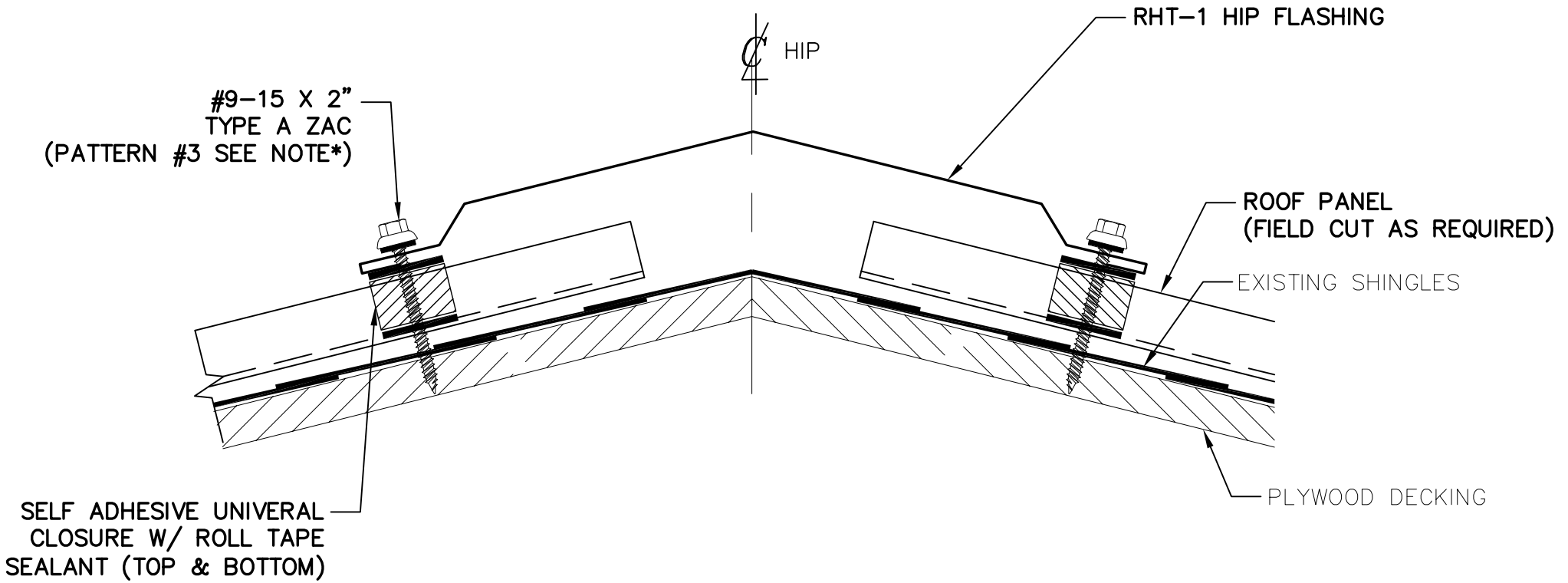


***NOTE:**
REFER TO PATTERN
DETAIL PAGE FOR SPACING.

SIDEWALL DETAIL

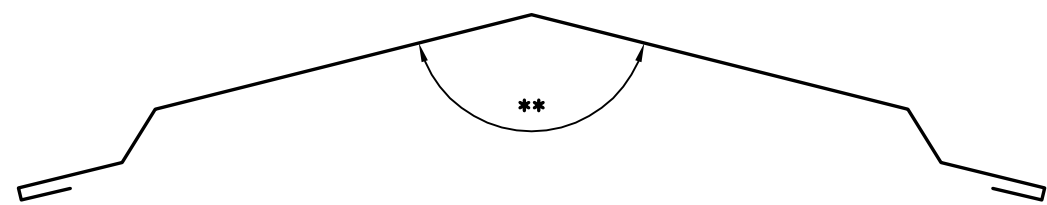


STANDARD HIP DETAIL



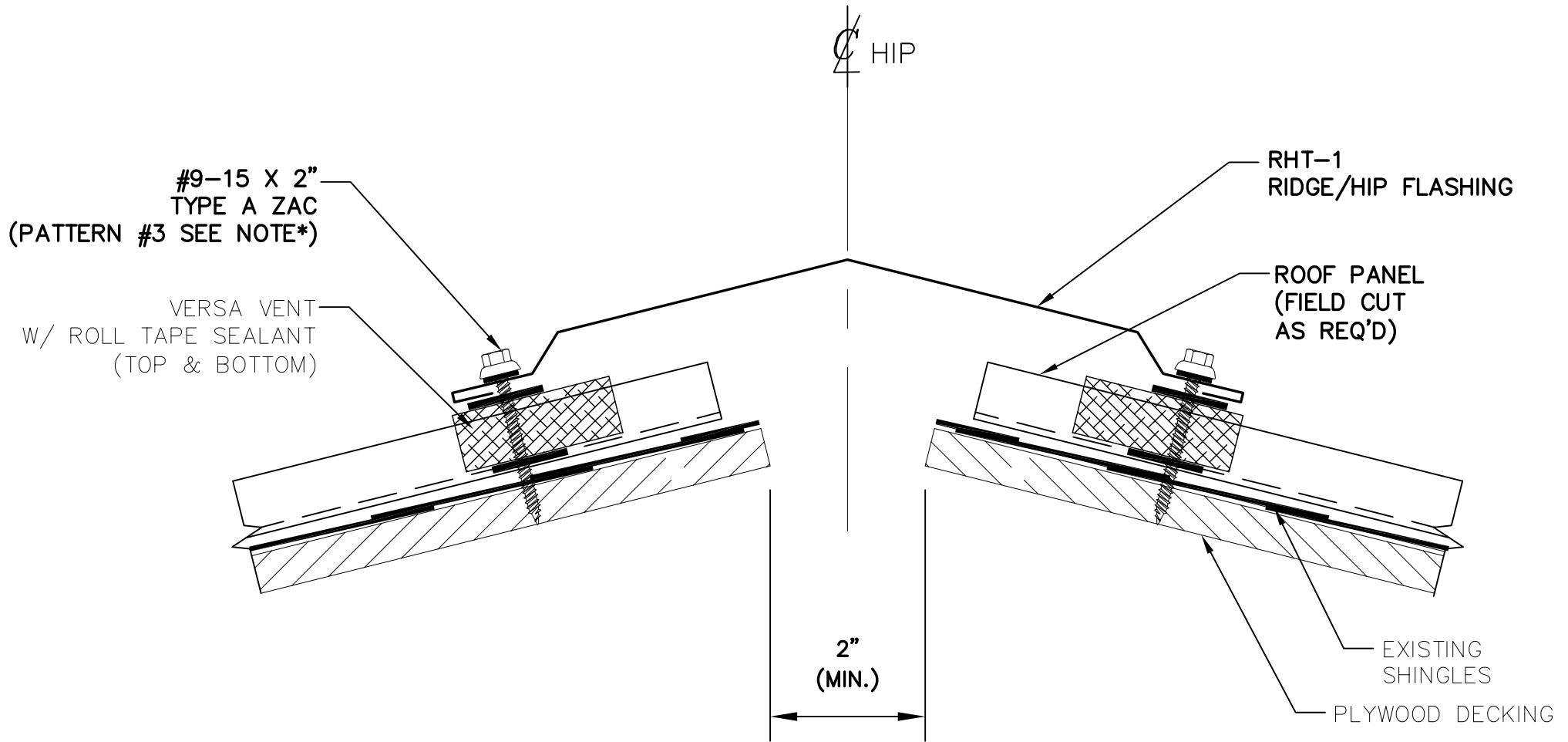
NOTE:
NEATLY SNIP & FOLD TRIM
AT RIDGE / HIP INTERSECTIONS.

*NOTE:
REFER TO PATTERN
DETAIL PAGE FOR SPACING.



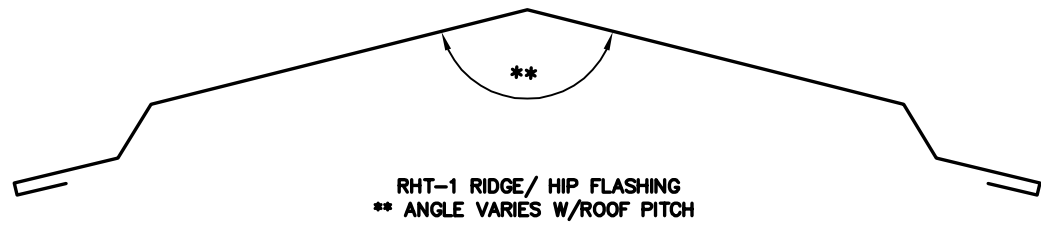
RHT-1
RIDGE/HIP TRIM
** ANGLE VARIES
W/ROOF PITCH

HIP DETAIL (VENTED)

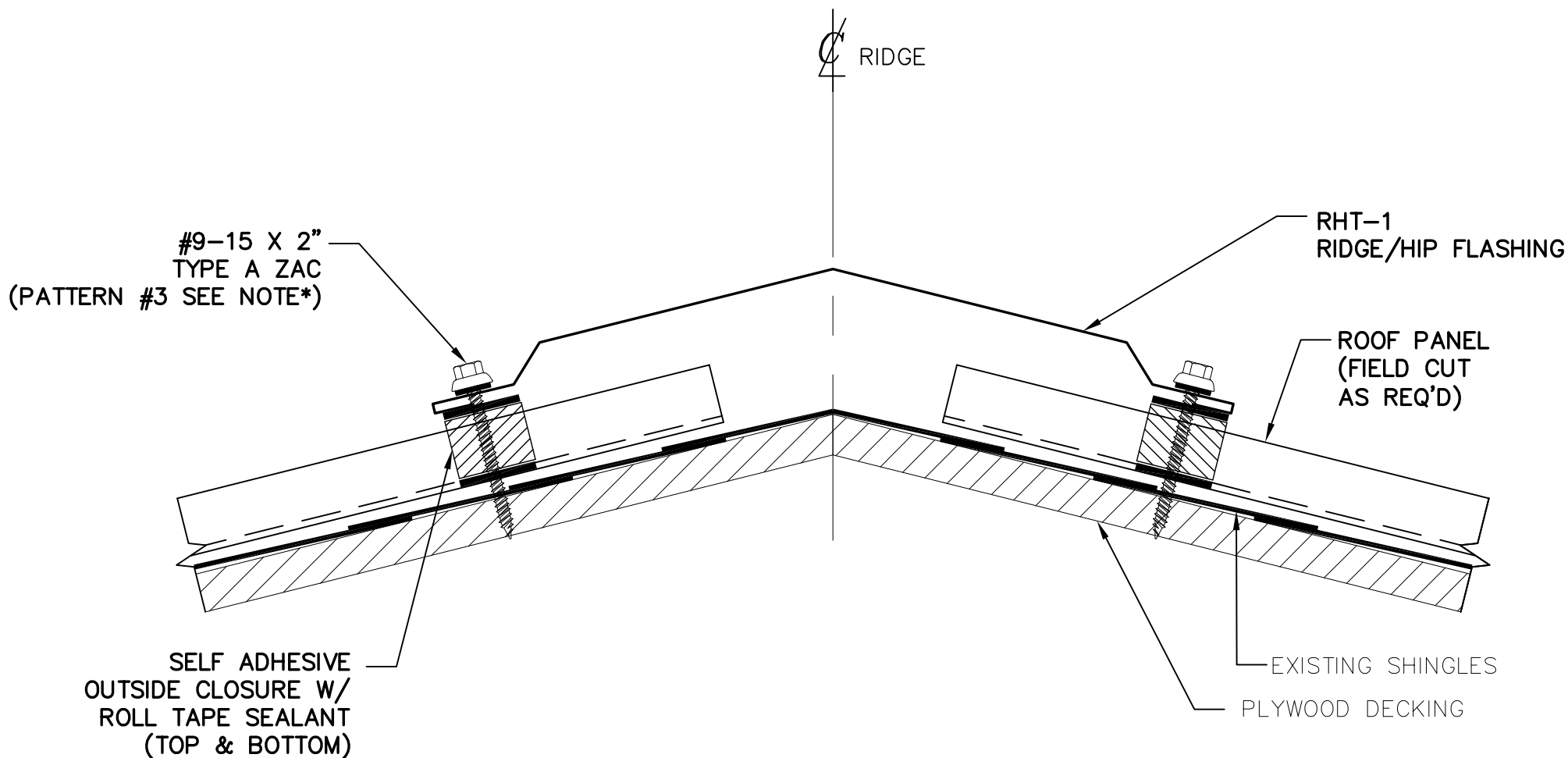


NOTE:
NEATLY SNIP & FOLD TRIM
AT RIDGE / HIP INTERSECTIONS.

*NOTE:
REFER TO PATTERN
DETAIL PAGE FOR SPACING.

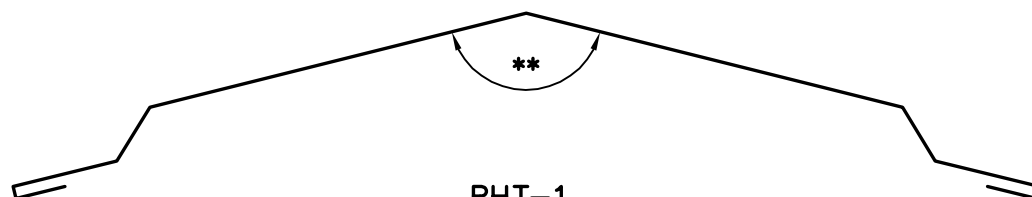


STANDARD RIDGE DETAIL



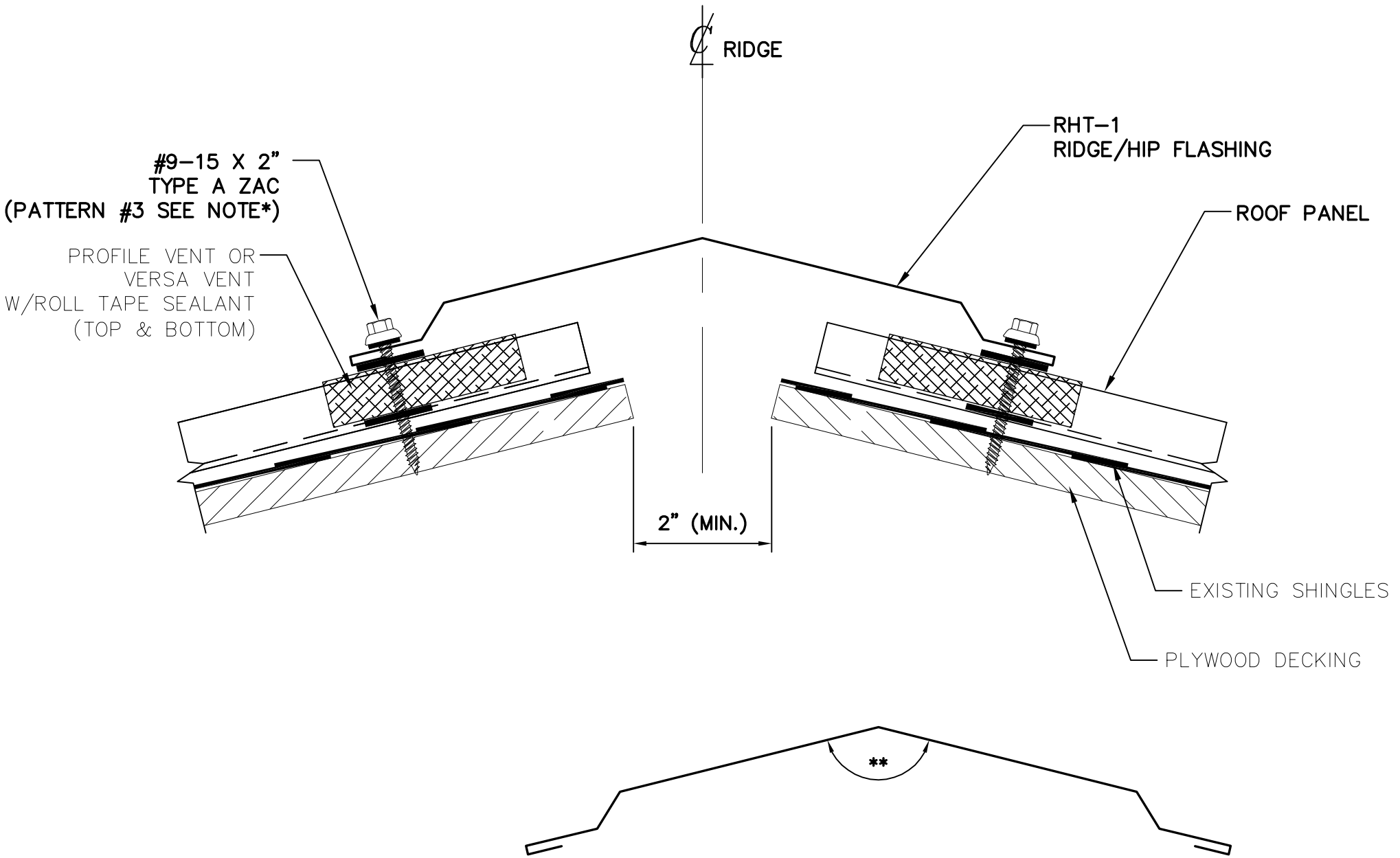
NOTE:
NEATLY SNIP & FOLD TRIM
AT RIDGE / HIP INTERSECTIONS.

*NOTE:
REFER TO PATTERN
DETAIL PAGE FOR SPACING.



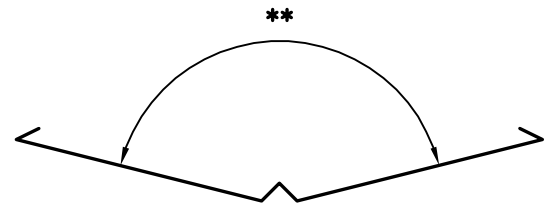
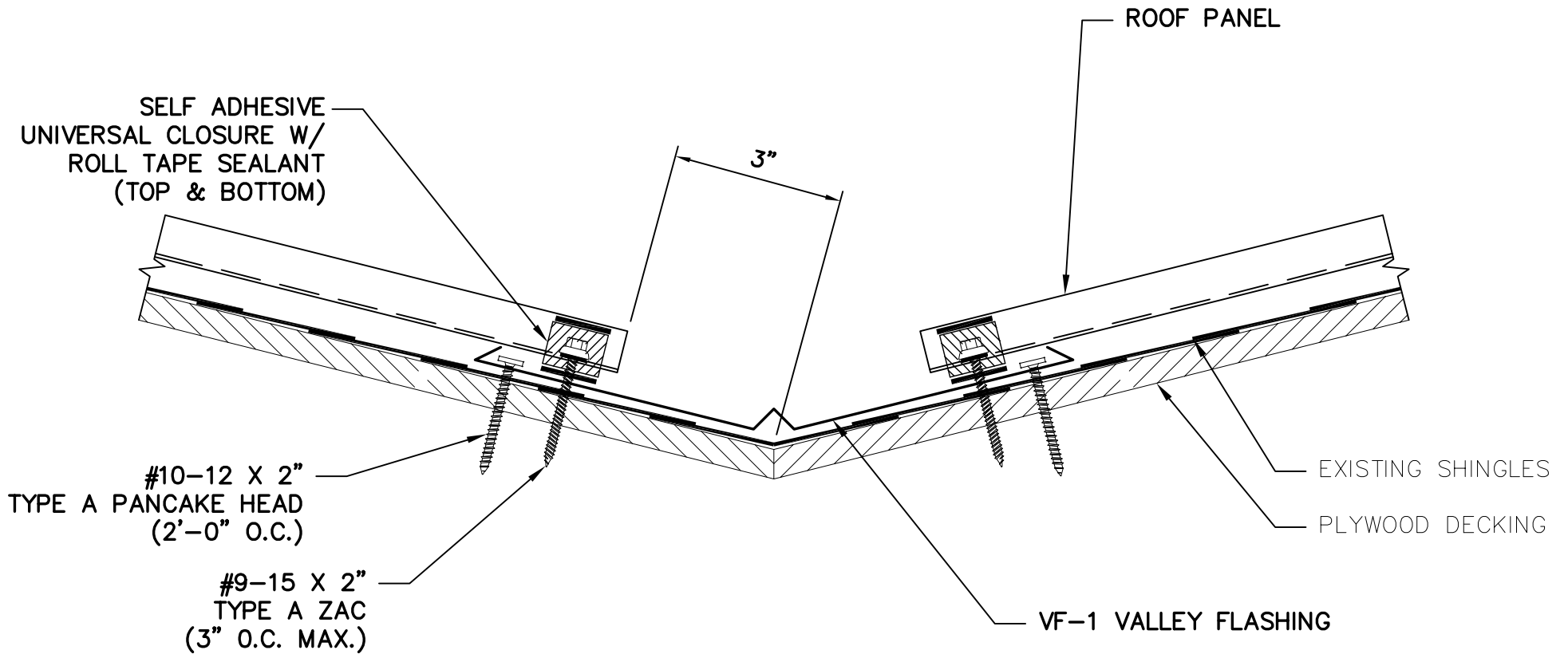
RHT-1
** RIDGE ANGLE VARIES
W /ROOF PITCH

VENTED RIDGE DETAIL



***NOTE:**
REFER TO PATTERN
DETAIL PAGE FOR
SPACING.

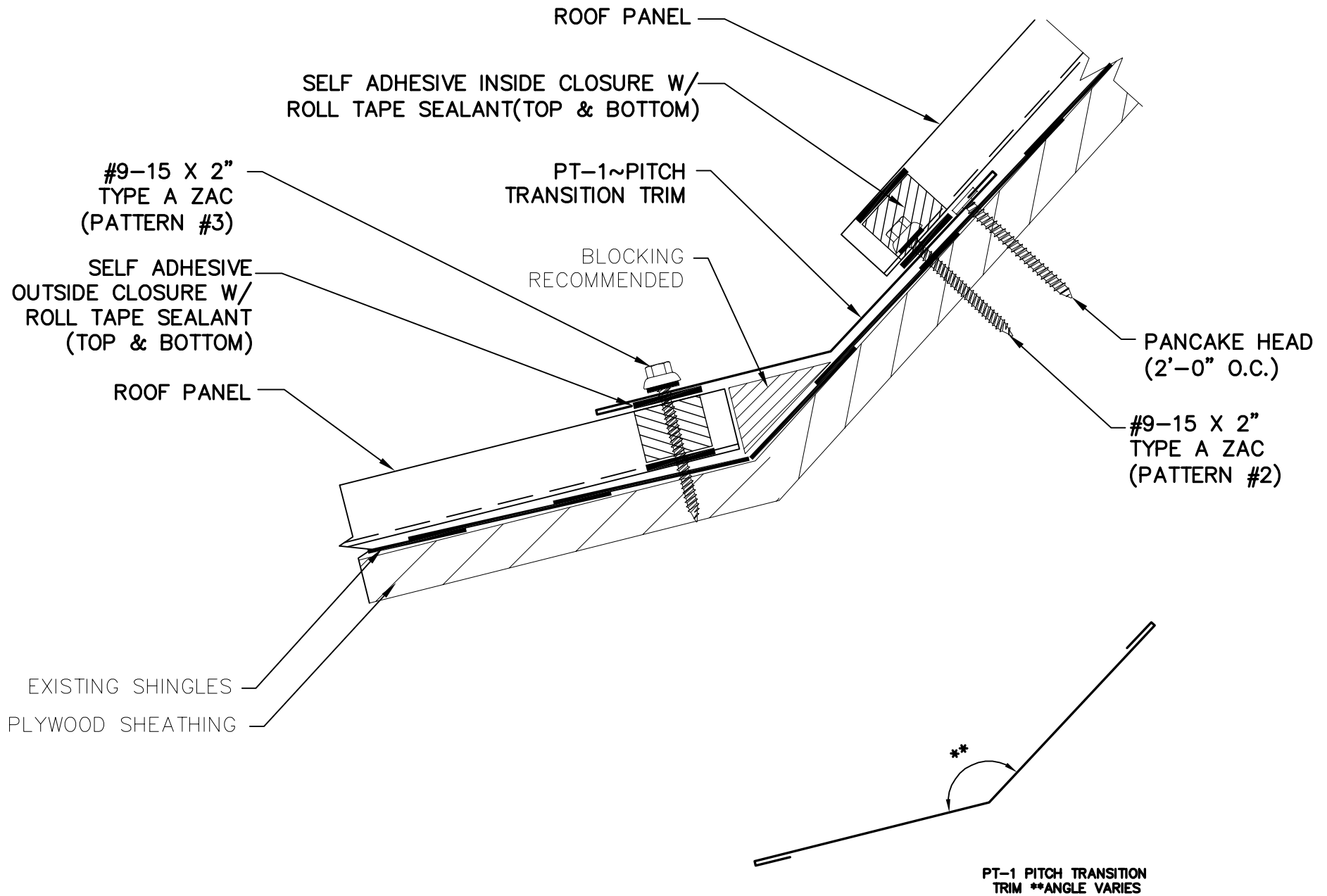
VALLEY DETAIL



VALLEY FLASHING
 ** VALLEY ANGLE VARIES
 W/ROOF PITCH

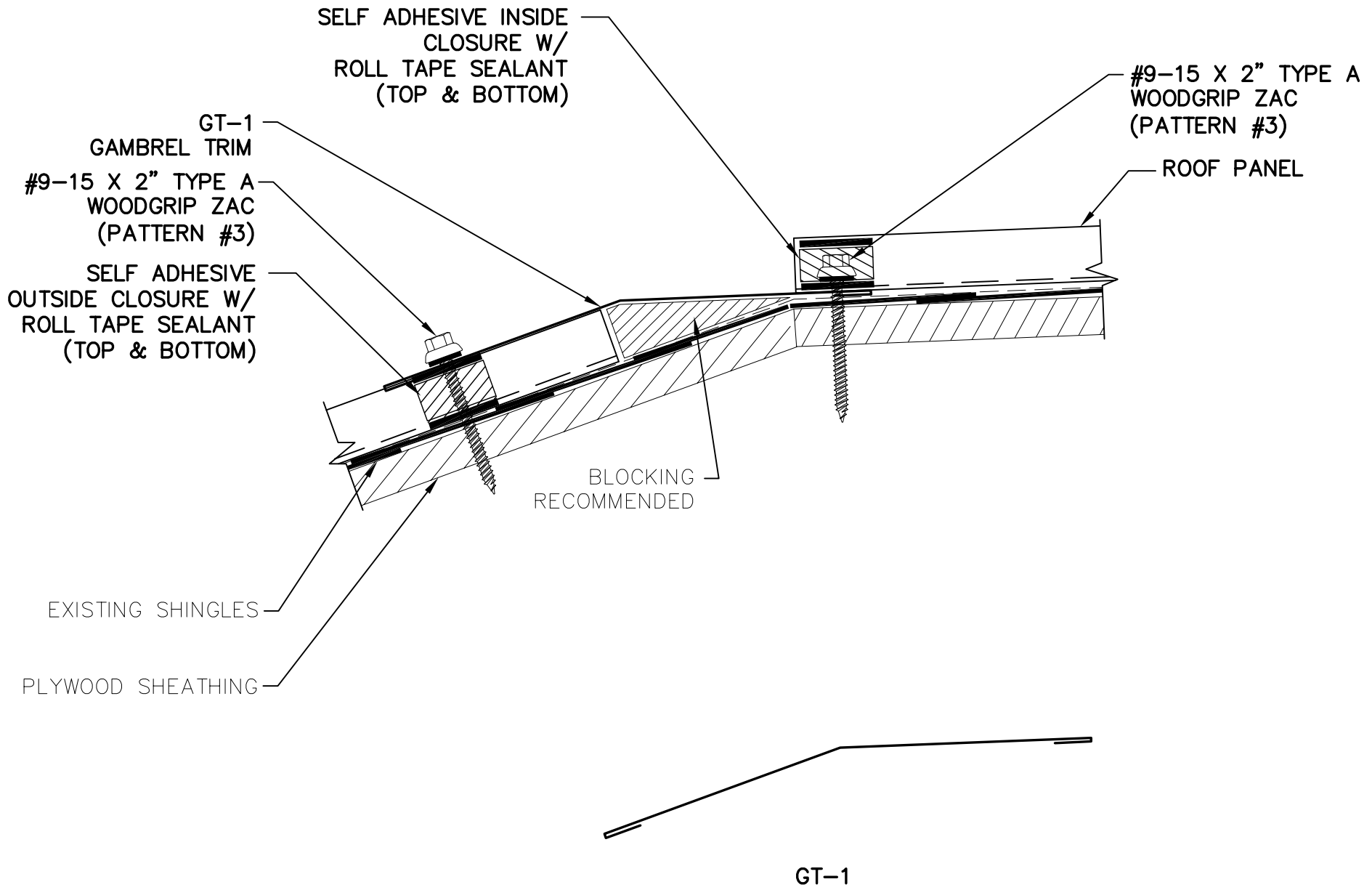
*NOTE:
 REFER TO PATTERN
 DETAIL PAGE FOR
 SPACING.

PITCH TRANSITION DETAIL (VALLEY)



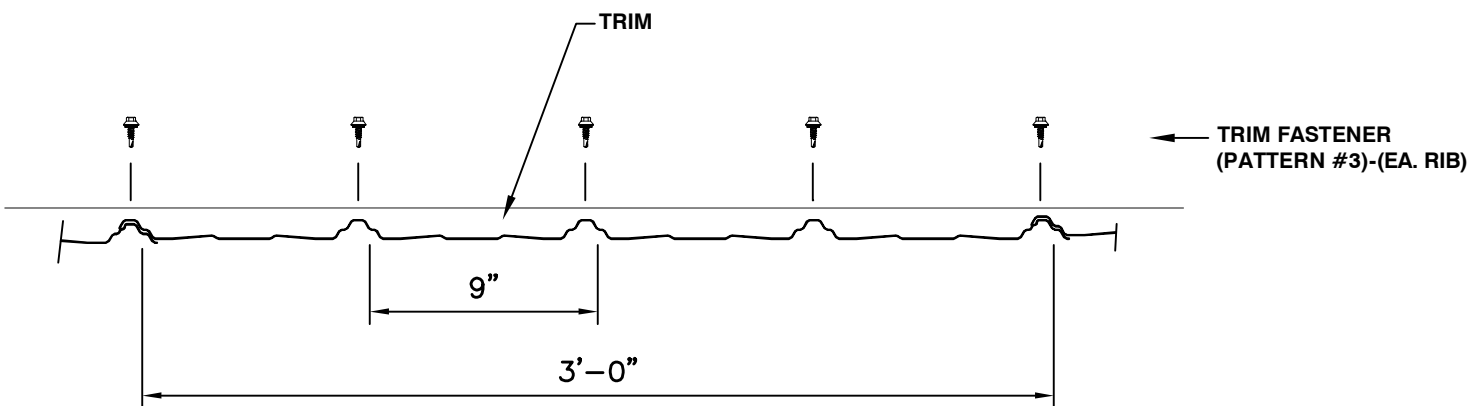
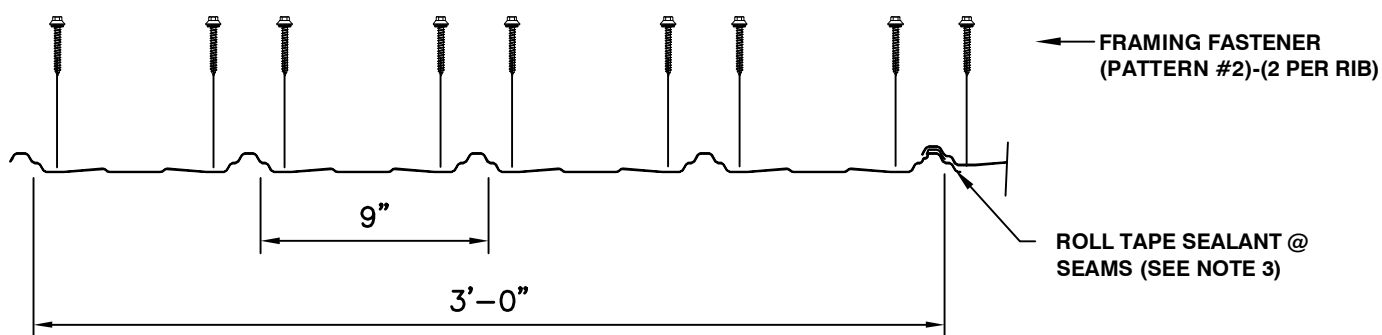
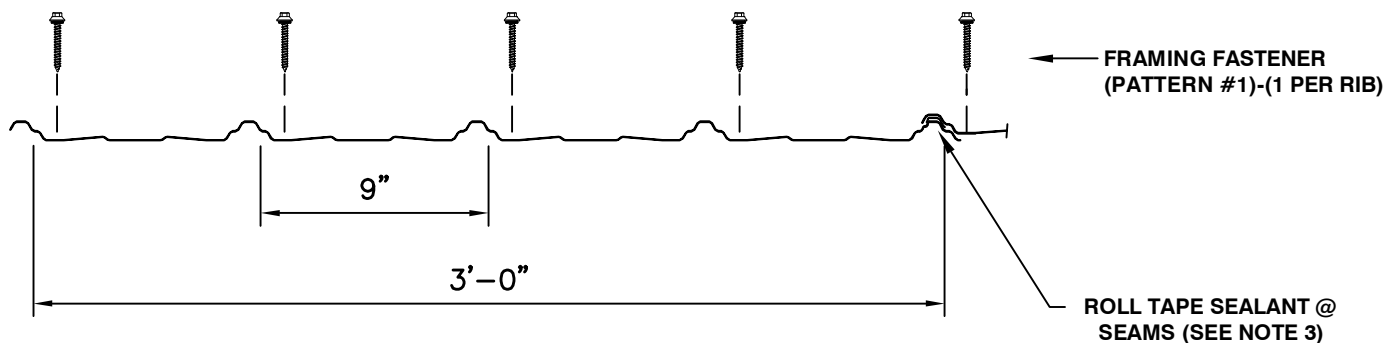
***NOTE:**
REFER TO PATTERN
DETAIL PAGE FOR SPACING.

PITCH TRANSITION DETAIL (GAMBREL)



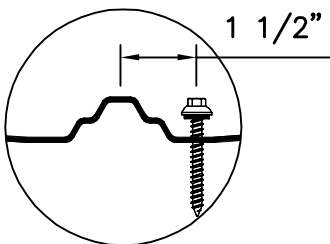
***NOTE:**
REFER TO PATTERN
DETAIL PAGE FOR SPACING.

TYPICAL FRAMING AND STITCH FASTENER PATTERNS



FASTENER PATTERN #1

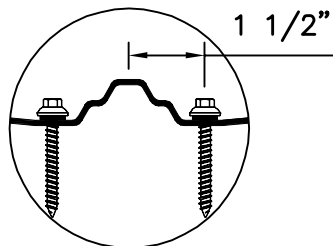
At intermediate supports:
1 1/2" on one side of major ribs.



FASTENER PATTERN
DOWN LENGTH OF
PANEL = 3'-0" O.C.

FASTENER PATTERN #2

At base, eave, ridge & lap:
1 1/2" on each side of major ribs.

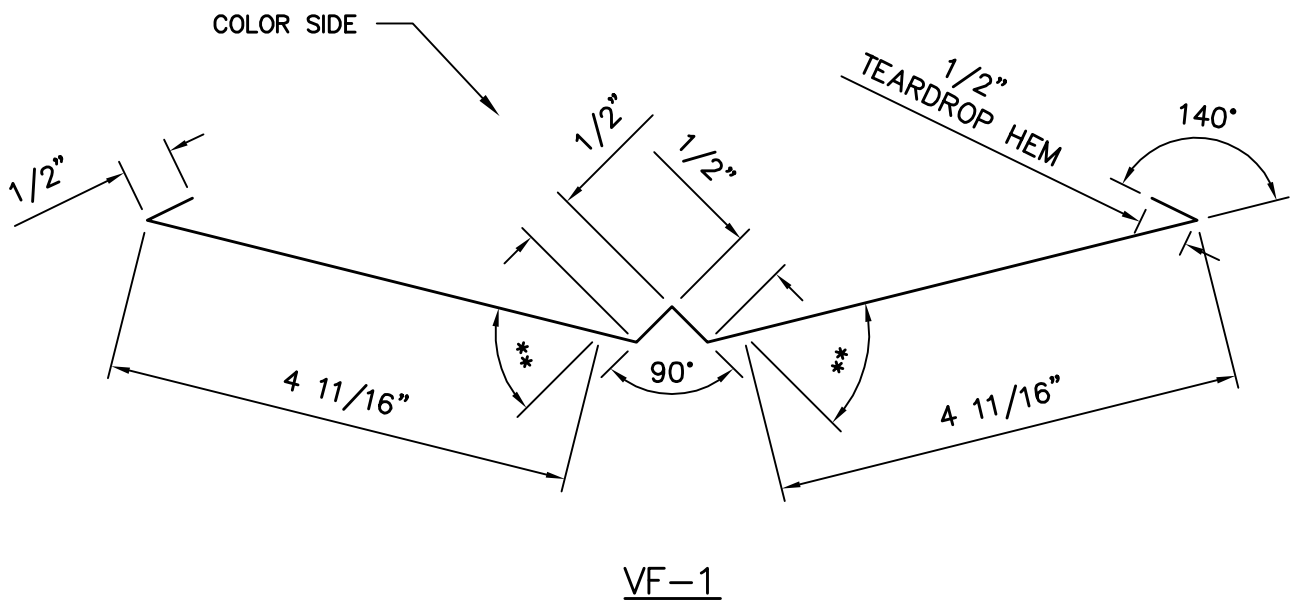


NOTES:

- 1.) TAPE SEALANT NOT REQUIRED FOR WALL SEAMS OR BOTH SIDES OF CLOSURE.
- 2.) STITCH FASTENERS NOT REQUIRED FOR 3:12 OR GREATER SLOPES.
- 3.) TAPE SEALANT NOT REQUIRED FOR 3:12 OR GREATER SLOPES.

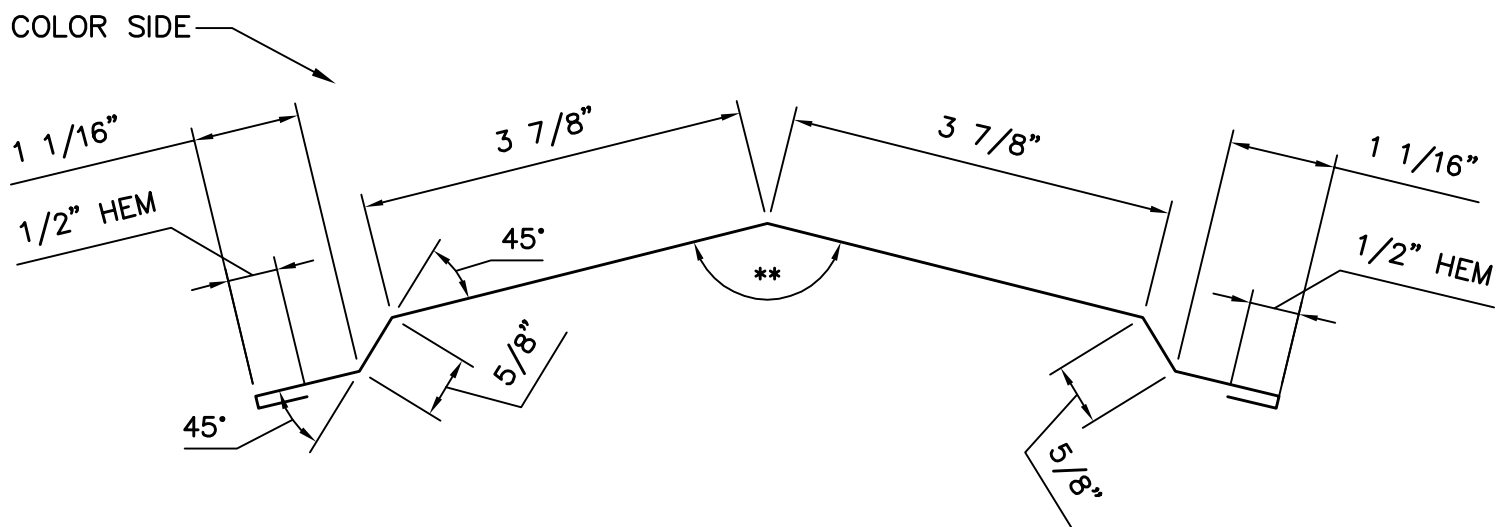
STANDARD TRIMS & PROFILES

VF-1 VALLEY TRIM



** DEGREE OF BEND
MAT'L: 29 GA.
GIRTH: 12 1/8"
BENDS: AS SPECIFIED

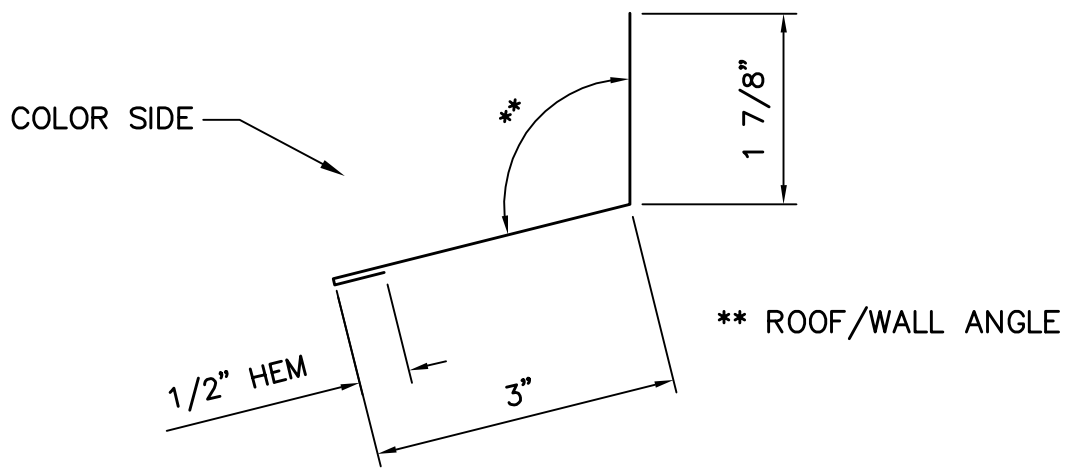
RHT-1 RIDGE / HIP TRIM



RHT-1

** RIDGE ANGLE
MAT'L: 29 GA.
GIRTH: $12 \frac{1}{8}$ "
BENDS: AS SPECIFIED

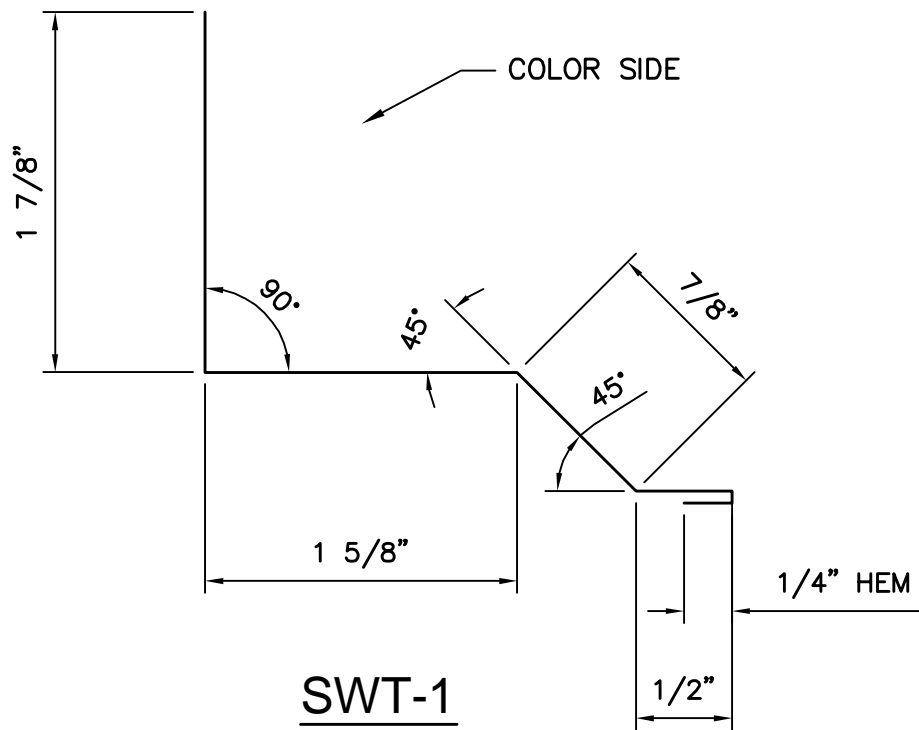
HSTI -1 / HIGH-SIDE TIE-IN TRIM



HSTI-1

HSTI—HIGH SIDE TIE—IN TRIM
MAT'L: 29 GA.
GIRTH: 5 3/8"
BENDS: AS SPECIFIED

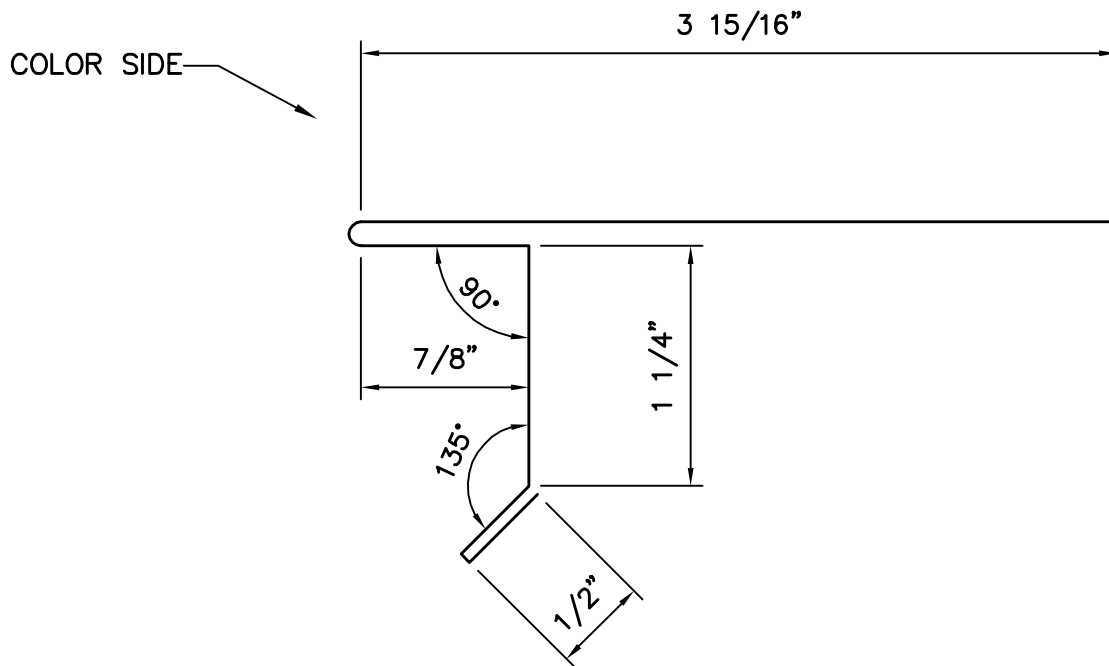
SWT-1 SIDEWALL TRIM



SWT-1

RAKE TIE-IN TRIM
MAT'L: 29 GA.
GIRTH: $5\frac{3}{8}$ "
BENDS: 90° & AS SPECIFIED

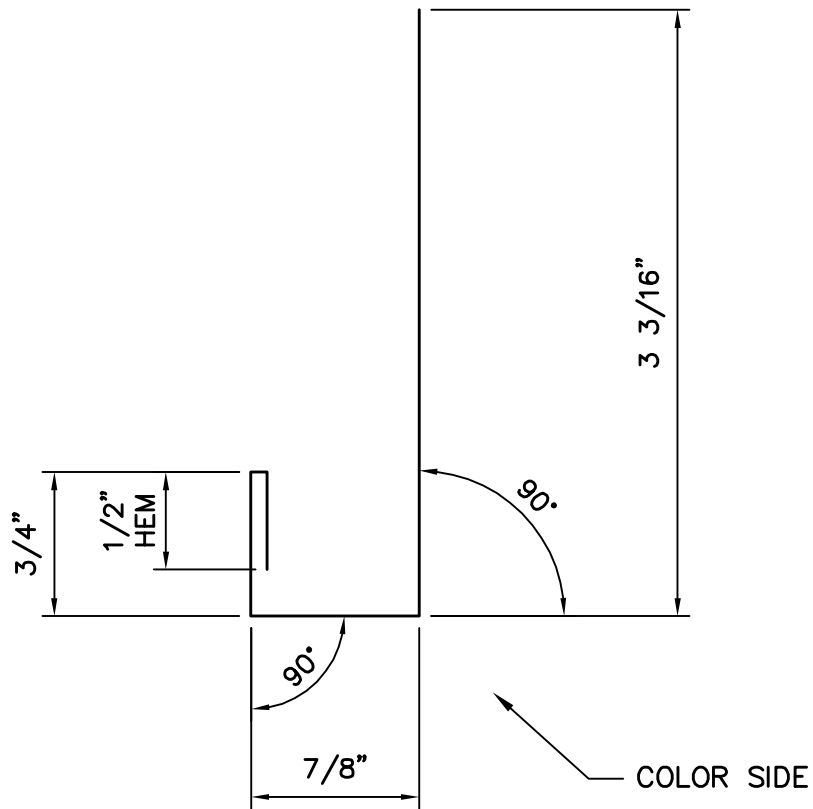
DE-1 DRIP EDGE TRIM



DE-1

MAT'L: 29 GA.
GIRTH: $6 \frac{9}{16}$ "
BENDS: AS SPECIFIED

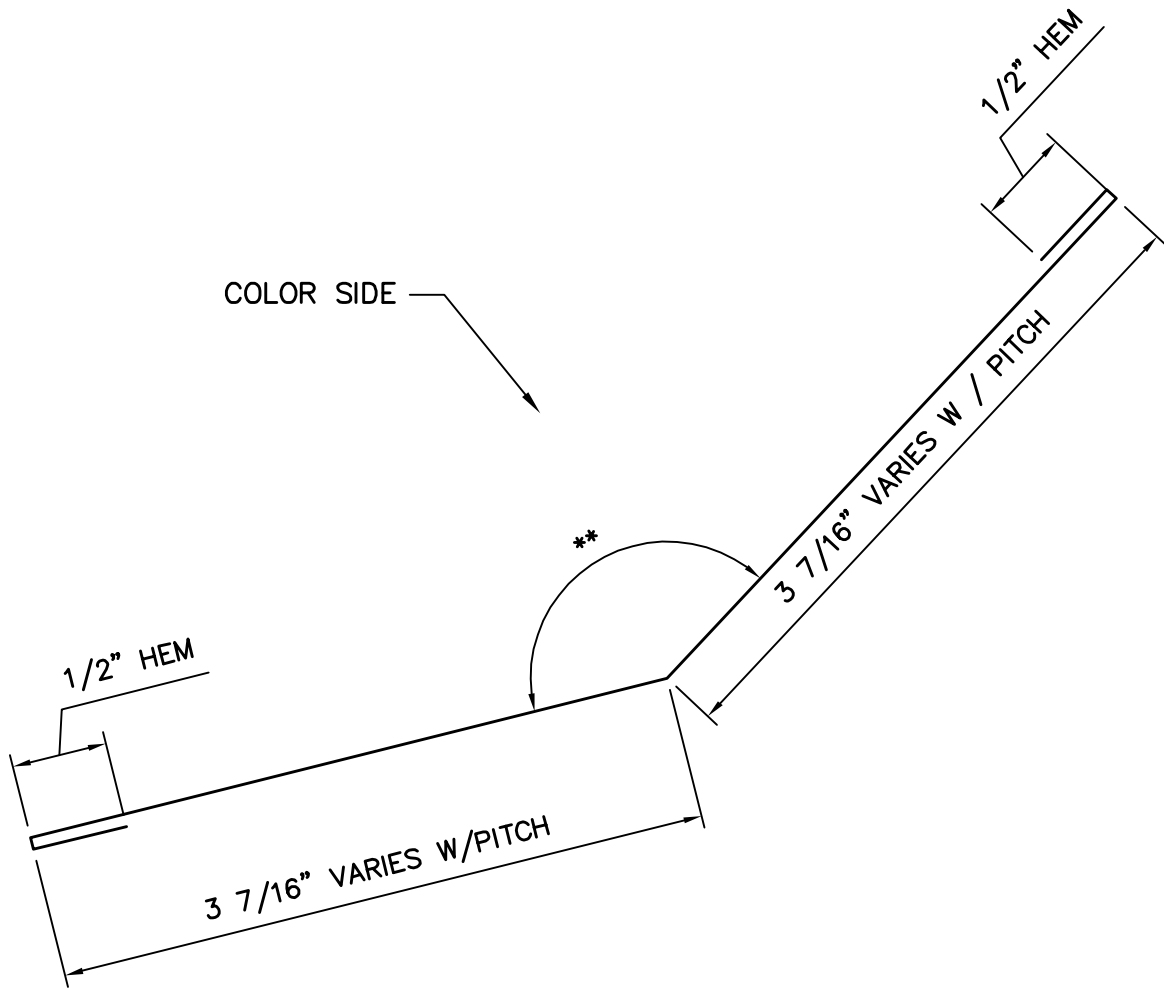
JC-1 J-CHANNEL TRIM



JC-1

MAT'L: 29 GA.
GIRTH: $5 \frac{3}{8}$ "
BENDS: 90°

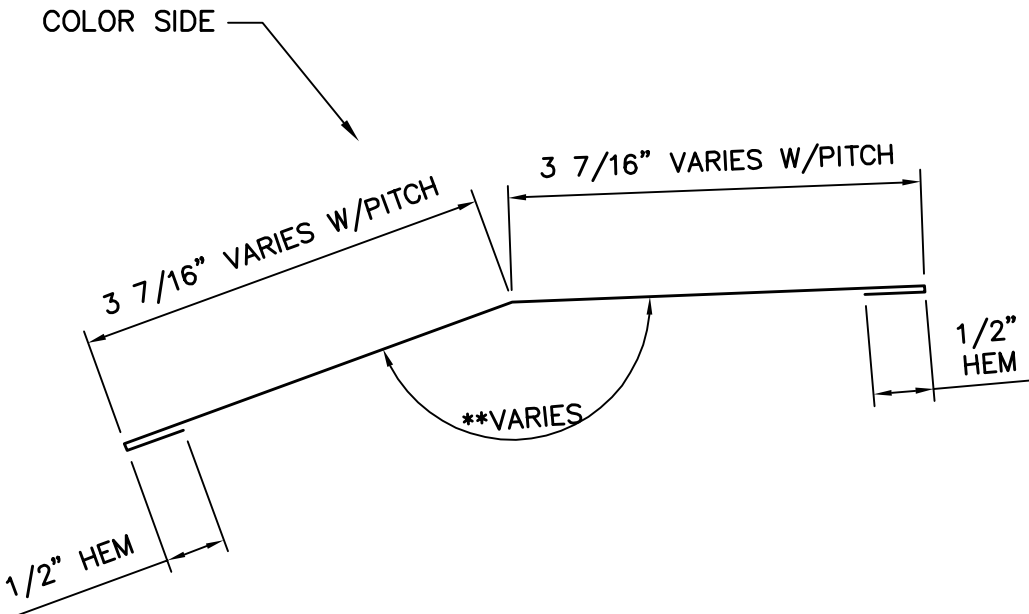
PT-1 PITCH TRANSITION TRIM



PT-1

** ANGLE VARIES W / PITCH
MAT'L: 29 GA.
GIRTH: VARIES
BENDS: VARY

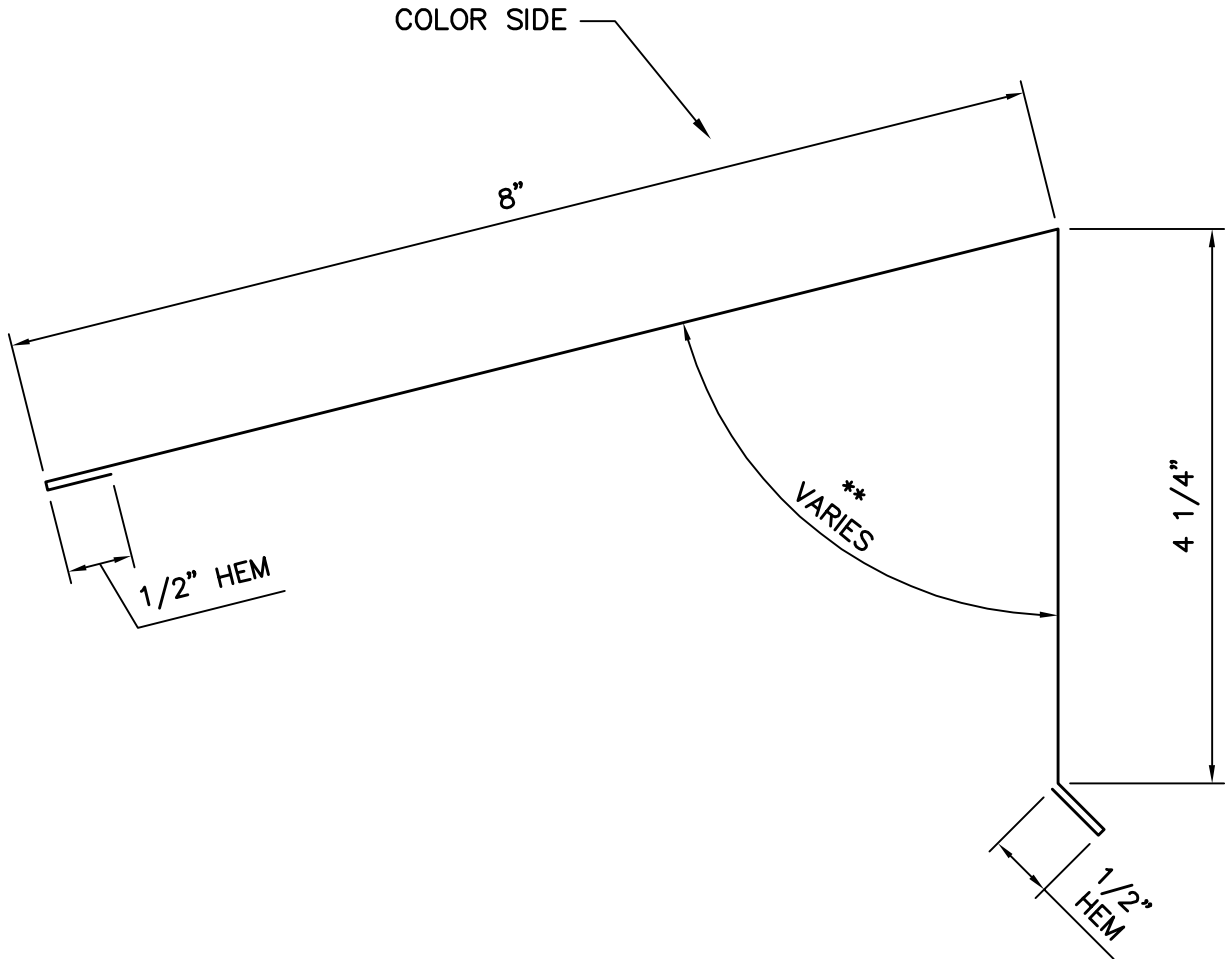
GT-1 GAMREL TRIM



GT-1

** ANGLE VARIES W / PITCH
MAT'L: 29 GA.
GIRTH: VARIES
BENDS: VARY

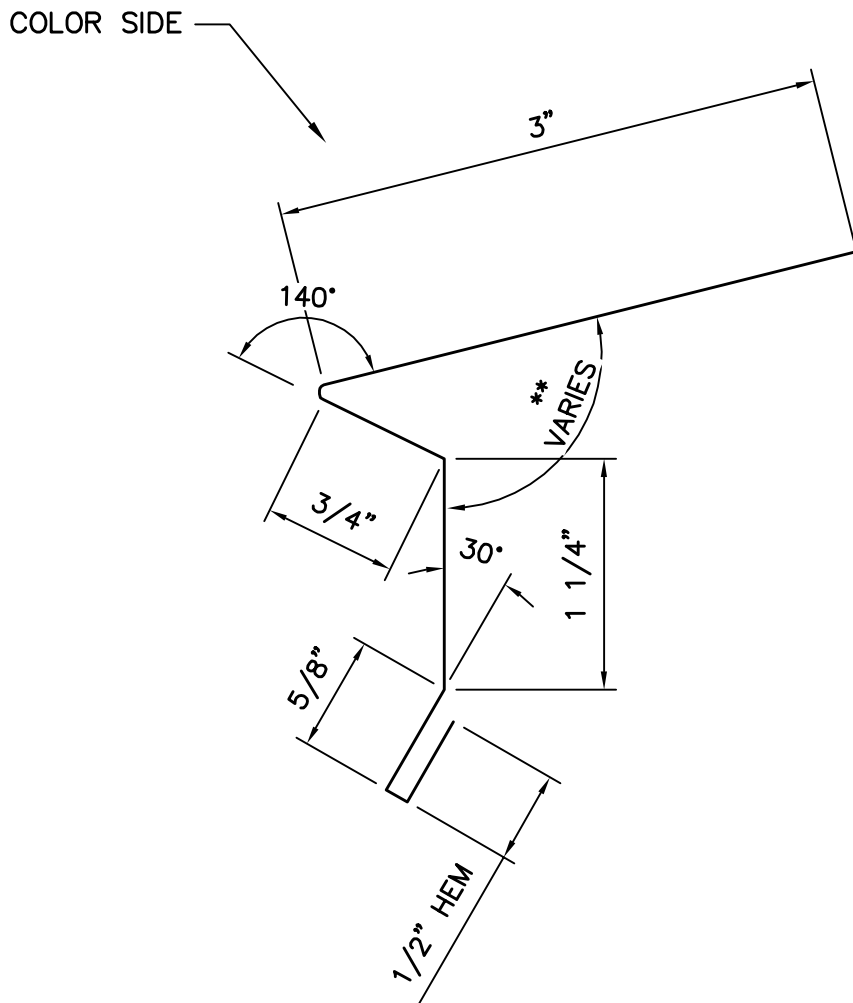
HET-1 HIGH EAVE TRIM



HET-1

** ANGLE VARIES W / PITCH
MAT'L: 29 GA.
GIRTH: 13 7/8"
BENDS: VARY

ET-1 EAVE TRIM



ET-1

** ANGLE VARIES W / PITCH
MAT'L: 29 GA.
GIRTH: 6 1/4"
BENDS: AS SPECIFIED